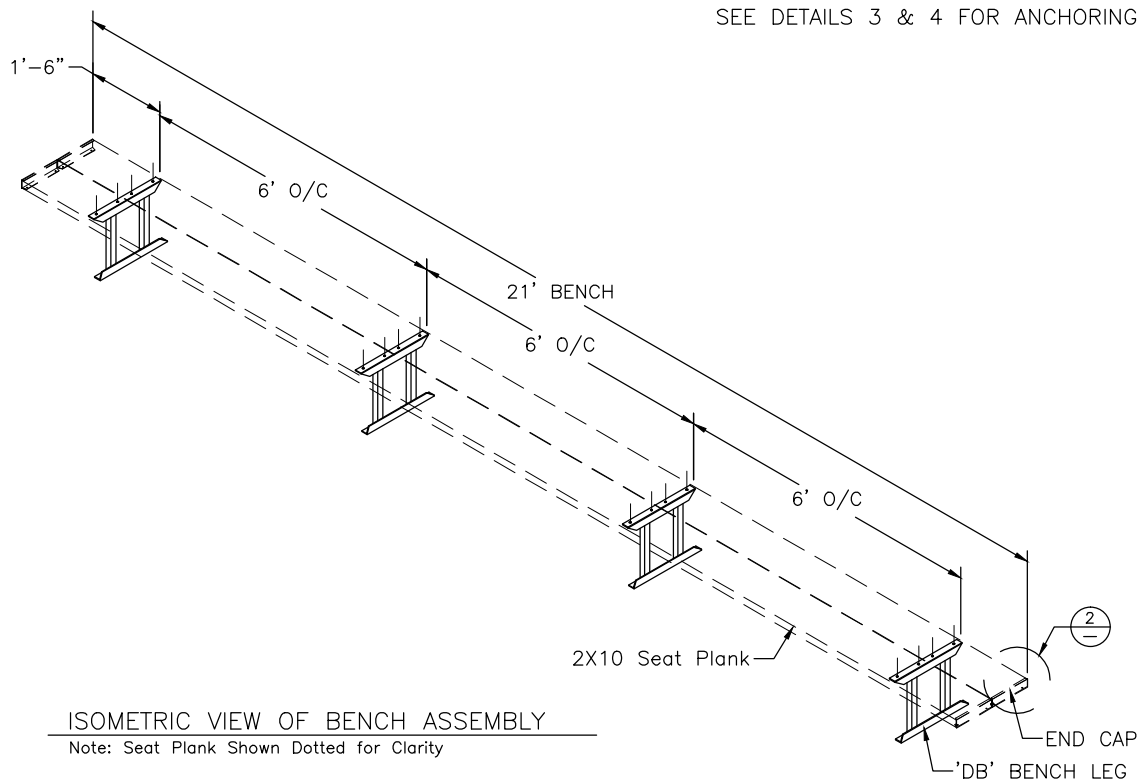


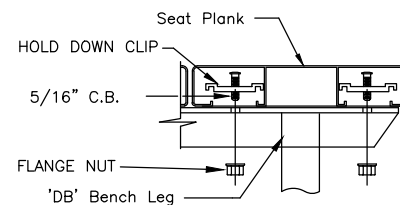
SEE DETAILS 3 & 4 FOR ANCHORING OPTIONS



ISOMETRIC VIEW OF BENCH ASSEMBLY

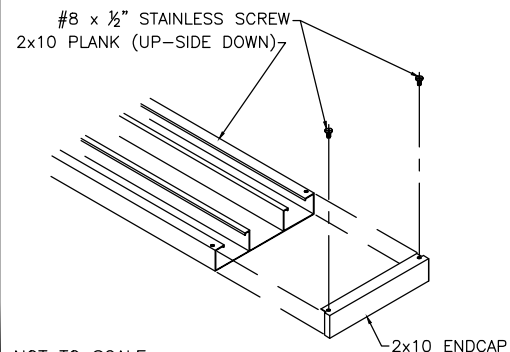
Note: Seat Plank Shown Dotted for Clarity

1 TYP 2x10 PLANK ATTACHMENT



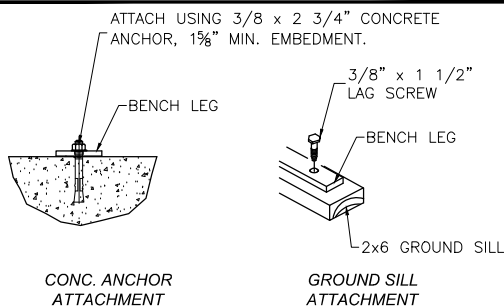
NOT TO SCALE

2 TYP 2x10 ENDCAP ATTACHMENT



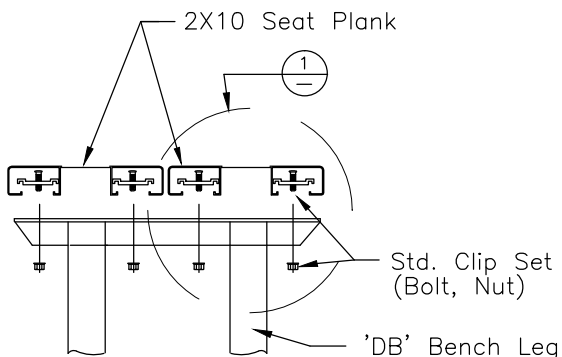
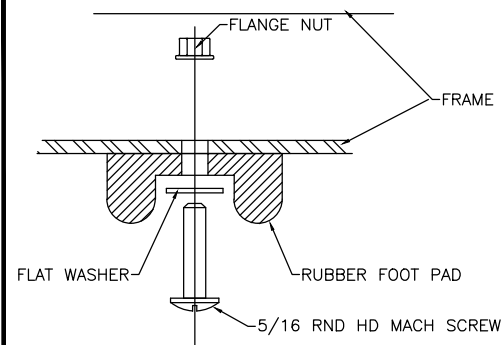
NOT TO SCALE

3 TYP ANCHORING DETAIL



NOT TO SCALE

4 RUBBER FOOT PAD ATTACH. DETAIL



SIDE VIEW OF BENCH ASSEMBLY



builtriteBLEACHERS.com
67 Canterbury Ln - Southington CT 06489

SCALE: NTS	APPROVED BY:	DRAWN BY: JLB
DATE: 10/30/12		
TITLE: 'DB' PORTABLE BENCH W/O BACK, 21'-0" LONG		
CUSTOMER:		DRAWING NUMBER: BDB02100