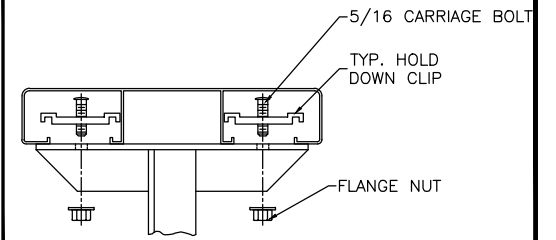


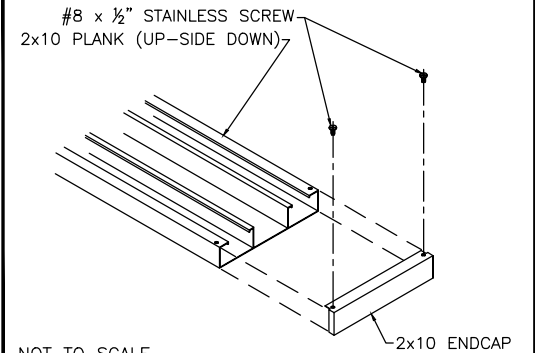
SEE DETAILS 3 & 4 FOR ANCHORING OPTIONS

⊕ TYP 2x10 PLANK ATTACHMENT



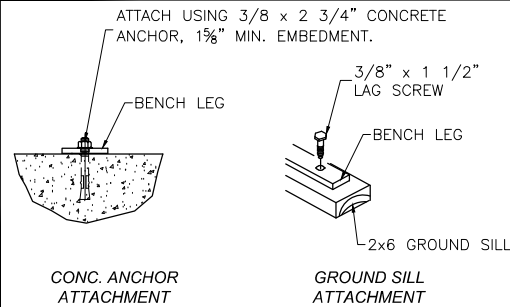
NOT TO SCALE

⊕ TYP 2x10 ENDCAP ATTACHMENT



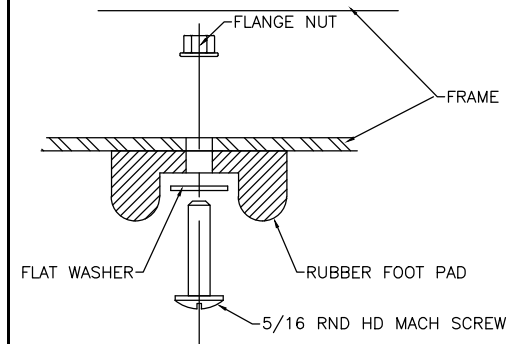
NOT TO SCALE

⊕ TYP ANCHORING DETAIL



NOT TO SCALE

⊕ RUBBER FOOT PAD ATTACH. DETAIL



**builtriteBLEACHERS.com**  
67 Canterbury Ln - Southington CT 06489

SCALE: N.T.S.	APPROVED BY:	DRAWN BY: IMP
DATE: 6/20/12		
TITLE: DG PORTABLE BENCH W/BACK, 15'-0" LONG		
CUSTOMER:		DRAWING NUMBER: BDG01500