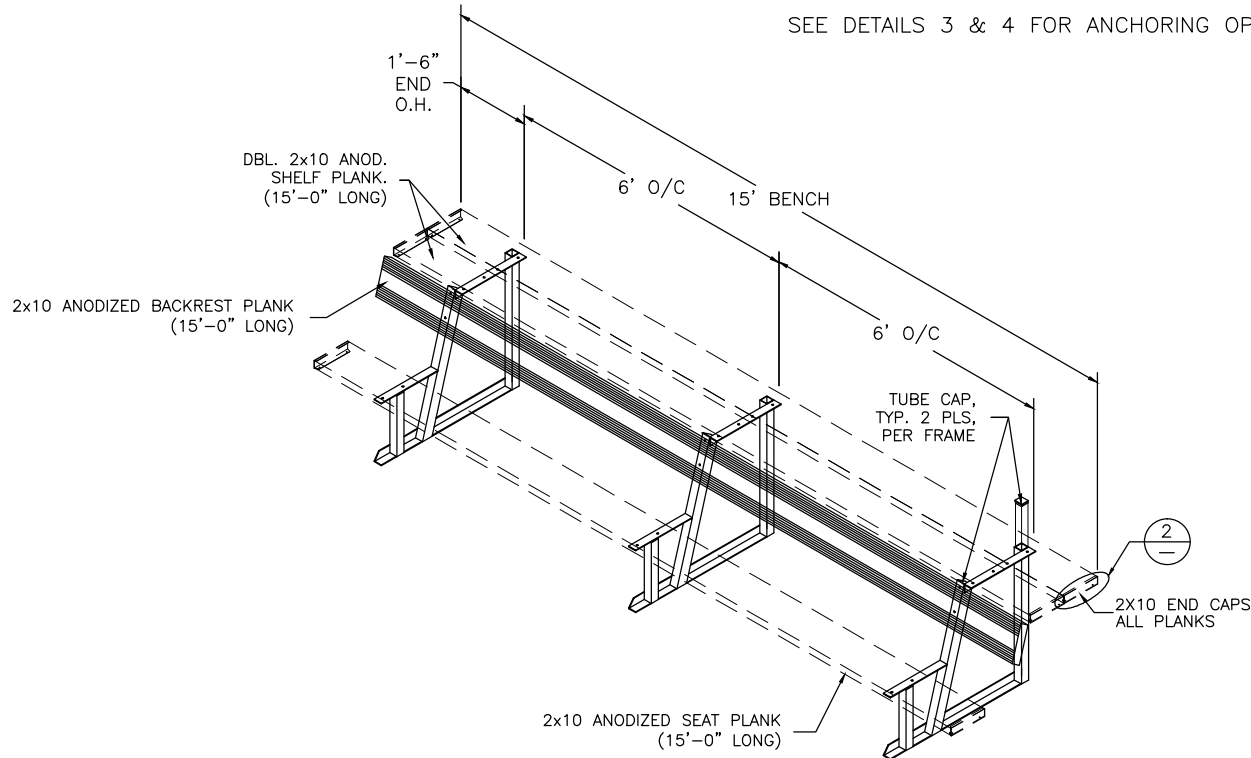
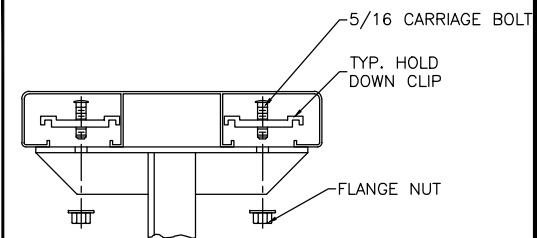


SEE DETAILS 3 & 4 FOR ANCHORING OPTIONS



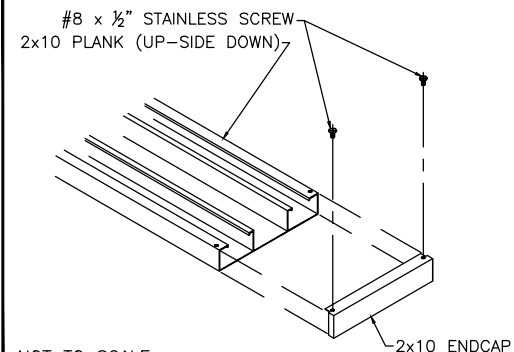
ISOMETRIC VIEW OF BENCH ASSEMBLY  
 Note: Seat Plank Shown Dotted for Clarity

③ TYP 2x10 PLANK ATTACHMENT

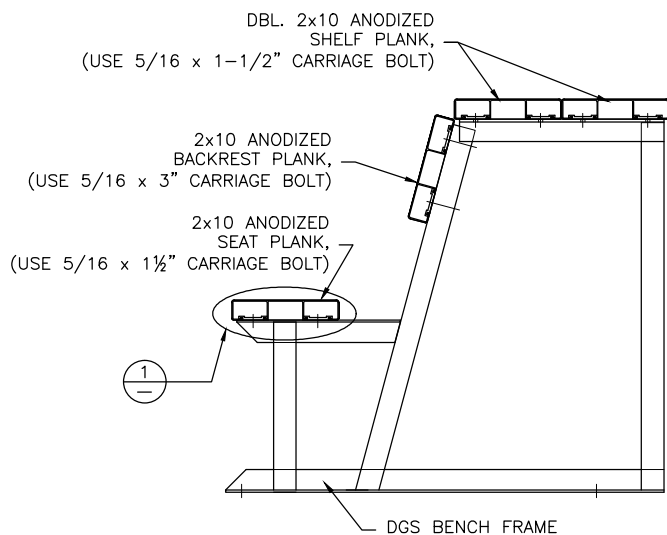


NOT TO SCALE

③ TYP 2x10 ENDCAP ATTACHMENT

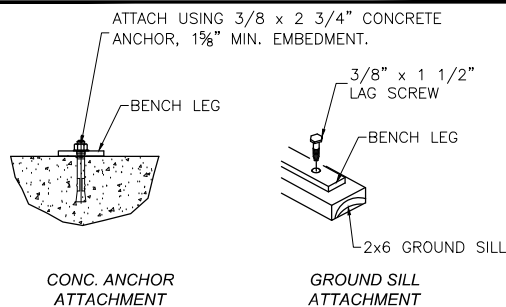


NOT TO SCALE



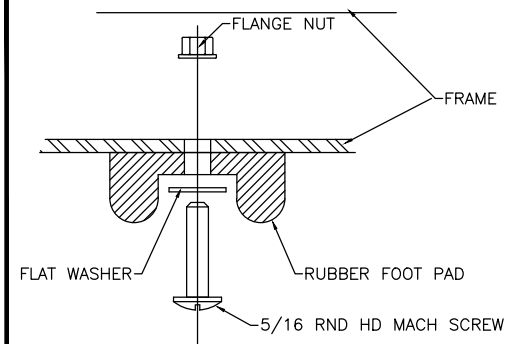
SIDE VIEW OF BENCH ASSEMBLY

④ TYP ANCHORING DETAIL



NOT TO SCALE

④ RUBBER FOOT PAD ATTACH. DETAIL



builtriteBLEACHERS.com  
 866-281-5337

**builtriteBLEACHERS.com**  
 67 Canterbury Ln - Southington CT 06489

SCALE: NTS	APPROVED BY:	DRAWN BY: JLB
DATE: 11/12/12		
TITLE: 'DGS' BENCH ASSEMBLY 15'-0" LONG		
CUSTOMER:	DRAWING NUMBER: BDGS01500	