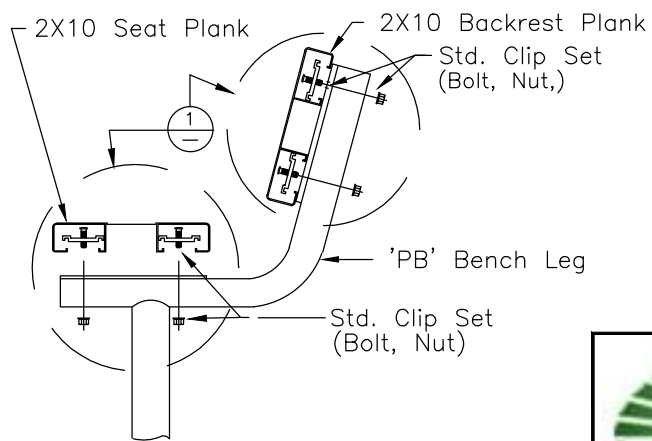


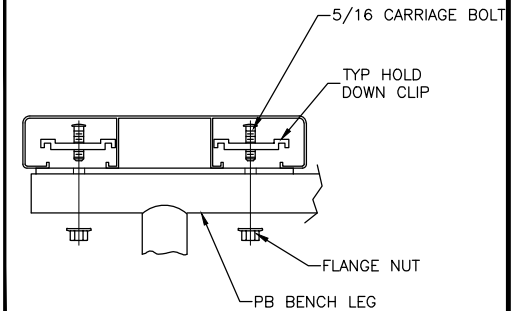
**ISOMETRIC VIEW OF BENCH ASSEMBLY**

Note: Plank Shown Dotted for Clarity



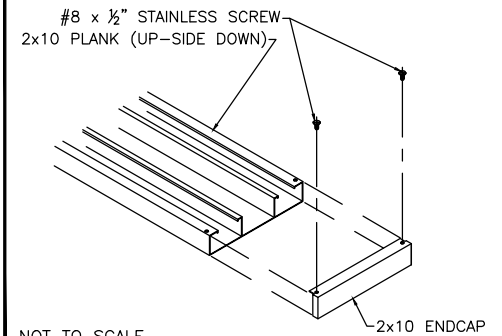
**SIDE VIEW OF BENCH ASSEMBLY**

**1 TYP 2x10 PLANK ATTACHMENT**



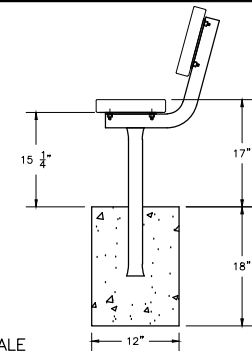
NOT TO SCALE

**2 TYP 2x10 ENDCAP ATTACHMENT**



NOT TO SCALE

**3 PERMANENT BENCH HEIGHT DETAIL**



NOT TO SCALE



**builtriteBLEACHERS.com**  
67 Canterbury Ln - Southington CT 06489

SCALE: N.T.S.	APPROVED BY:	DRAWN BY: IMP
DATE: 11/12/12		
TITLE: 'PB' PERMANENT BENCH W/BACK, 15'-0" LONG		
CUSTOMER:	DRAWING NUMBER: BPB01500	