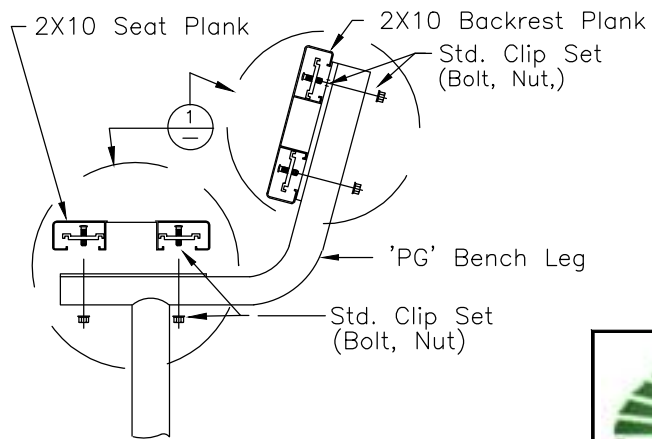


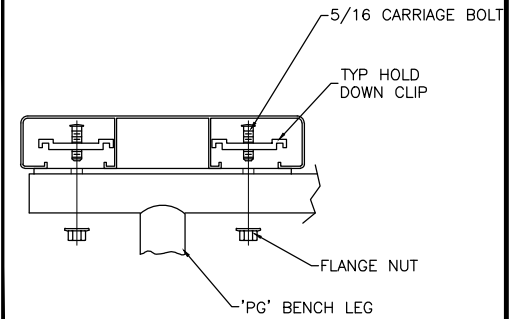
ISOMETRIC VIEW OF BENCH ASSEMBLY

Note: Seat Plank Shown Dotted for Clarity



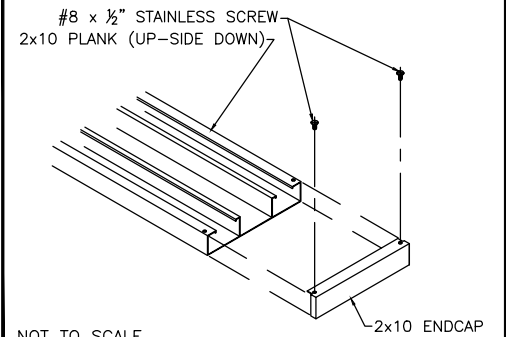
SIDE VIEW OF BENCH ASSEMBLY

1 TYP 2x10 PLANK ATTACHMENT



NOT TO SCALE

2 TYP 2x10 ENDCAP ATTACHMENT



NOT TO SCALE



builtriteBLEACHERS.com
67 Canterbury Ln - Southington CT 06489

SCALE: NTS	APPROVED BY:	DRAWN BY: JLB
DATE: 11/12/12		
TITLE: 'PG' PORTABLE BENCH W/BACK, 6' LONG		
CUSTOMER:		DRAWING NUMBER: BPG00600