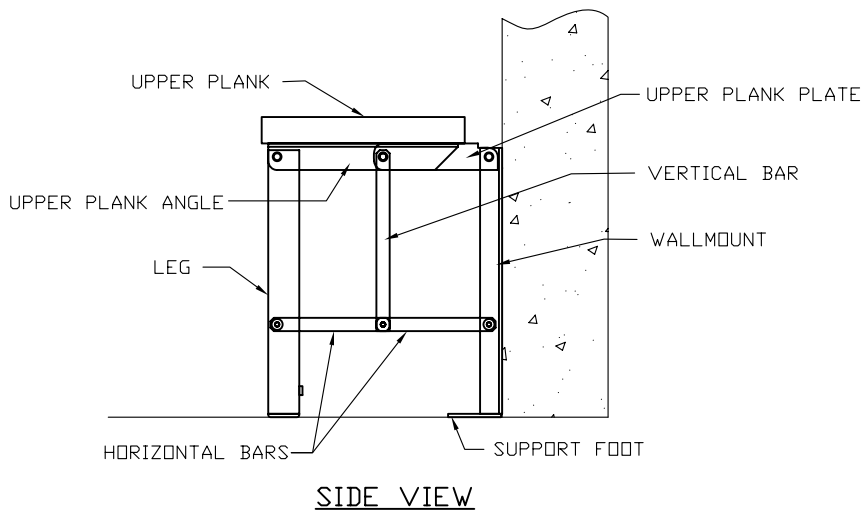


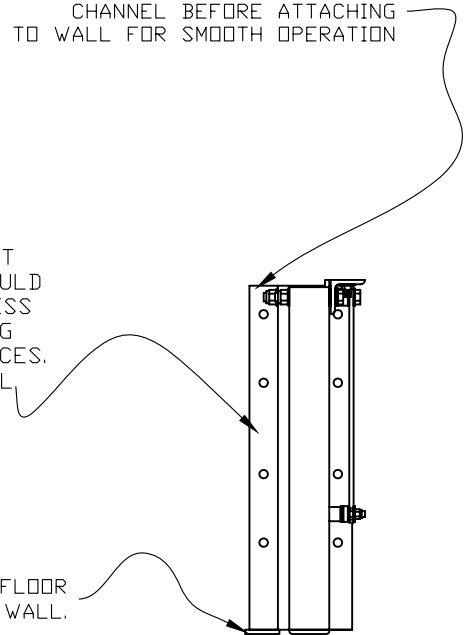
WALL ATTACHING INSTRUCTIONS



BE SURE TO PLUMB THE WALLMOUNT CHANNEL BEFORE ATTACHING TO WALL FOR SMOOTH OPERATION

HIDE-A-BENCH® IS INTENDED TO BE PERMANENTLY ATTACHED TO A FLAT PLYWOOD OR MASONRY WALL BY WAY OF LAG OR ANCHOR BOLTS. IT SHOULD NEVER BE ATTACHED TO THE FLOOR. WALL MATERIAL TYPE AND THICKNESS SHALL BE VERIFIED BY OWNER OR GENERAL CONTRACTOR. THE ANCHORING HARDWARE & QUANTITY SHOULD BE SUFFICIENT TO RESIST PULL OUT FORCES. IF ADDITIONAL HOLES ARE NEEDED FOR ATTACHING **HIDE-A-BENCH®**, DRILL HOLES WHERE NEEDED.

NOTE: SUPPORT FOOT SHOULD REST ON THE FLOOR WHEN **HIDE-A-BENCH®** IS ATTACHED TO WALL.



PRODUCT CARE:

HIDE-A-BENCH® CAN BE CLEANED WITH ANY MILD NON-ABRASIVE SOAP AND A SPONGE OR SOFT BRUSH. ONCE A YEAR, ALL BOLTS AND NUTS SHOULD BE CHECKED TO MAKE SURE THEY ARE STILL TIGHT AND NOTHING IS MISSING.

HIDE-A-BENCH® WARRANTY

HIDE-A-BENCH® IS WARRANTED TO BE FREE FROM DEFECTS IN MATERIAL AND WORKMANSHIP FOR A PERIOD OF ONE YEAR FROM DATE OF SHIPMENT. IF ANY PART IS DEFECTIVE IN MATERIAL OR WORKMANSHIP WITHIN THE WARRANTY PERIOD, IT WILL BE REPLACED AT NO CHARGE, INCLUDING SHIPPING.

THIS WARRANTY APPLIES UNDER CONDITIONS OF NORMAL USE. THE WARRANTY DOES NOT COVER: (1) DEFECTS CAUSED BY IMPROPER ASSEMBLY, DISASSEMBLY, OR ATTACHMENT TO THE WALL; (2) DEFECTS OCCURRING AFTER PURCHASE DUE TO PRODUCT MODIFICATION (OTHER THAN DRILLING HOLES IN WALLMOUNT PIECE FOR WALL ATTACHMENT), MISUSE, ABUSE, OR NEGLIGENCE; (3) DEFECTS CAUSED BY ANY UNCONTROLLED INCIDENTS, SUCH AS FIRE OR ANY WEATHER RELATED OCCURRENCES; AND, (4) INSTALLATION OR ASSEMBLY LABOR COSTS.

THIS WARRANTY SHALL BE IN LIEU OF ALL OTHER WARRANTIES, EXPRESS OR IMPLIED AND **HIDE-A-BENCH®** SHALL NOT BE LIABLE FOR LOSS OF PROFITS OR OTHER DIRECT OR INDIRECT EXPENSES, LOSSES OR DAMAGES FROM EQUIPMENT OR PARTS FAILURE.

FOR WARRANTY SERVICE, CONTACT THE DEALER WHERE **HIDE-A-BENCH®** WAS PURCHASED.